

BRAVAT SHOWER VALVE MIXER CONCEALED WALL MOUNTED SPECIFICATIONS



Installation:
Flush piping system prior and after installation of fitting thoroughly!
Fitting a temperature limiter is possible.



Function:
Check connections for leaks and check function of fitting.
Flow is diverted automatically from shower outlet to bath inlet when the fitting is closed.



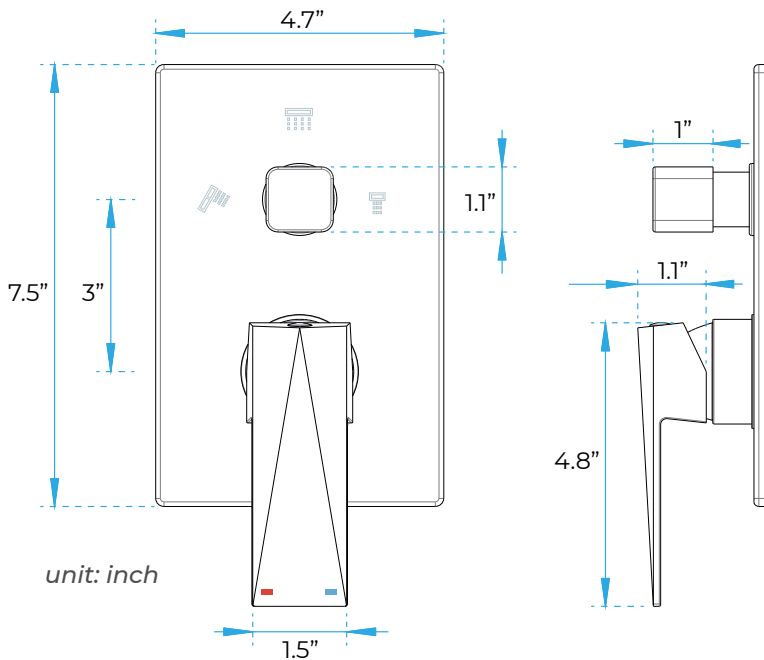
Maintenance:
Inspect and clean all components and replace if necessary.
Shut off water supply for maintenance work.



When installing the cartridge, ensure that the seals are correctly seated.
Tighten the screws evenly and alternately.

Technical Information

This technical product information is exclusively for the installer or trained specialists.
Application: Operation with unpressurized storage heaters is not possible. Use for indoor public places and common residence.



Specifications

- Flow pressure: min. 0.5 bar
recommended 1 – 5 bar
- Operating pressure: max. 10 bar
- Test pressure: 16 bar
- Flow rate at 3 bar flow pressure
for bath: ≥ 19.8 L/min
for shower: ≥ 12 L/min
- Hot water inlet temperature: max. 80°C
Recommended (energy saving): 60°C
- Environment temperature: 5°C~45°C

If static pressure exceeds 5 bar, a pressure-reducing valve must be fitted.
Avoid major pressure differences between hot and cold water supply.

All dimensions and specifications are nominal and may vary. Use actual products for accuracy in critical situations.